

# Pallet Stretch Wrapper



# MH-FG-1000 series

## MH-FG-1000A

Mechanical Stretch Automatic Pallet Stretch Wrapper

- Soft start/stop, home position, sensor test pallet height, European type anti-stretch mechanism, the speed of up-down motor fixed

Model	MH-FG-1000A
Power Voltage	3P AC380V 50/60Hz 1.0KW
Speed of turnplate	0-12r/min
Dia. of turntable	φ 1500mm
Mast height	H2400mm
Film	LLDPE film, width ≤500mm, out diameter ≤280mm
Pallet size	Capacity: 1000kg; max height=mast height-400mm
Package size	2650×1650×800mm
G.W/N.W	650kg/700kg
Optional	① Ramps ② Pannel



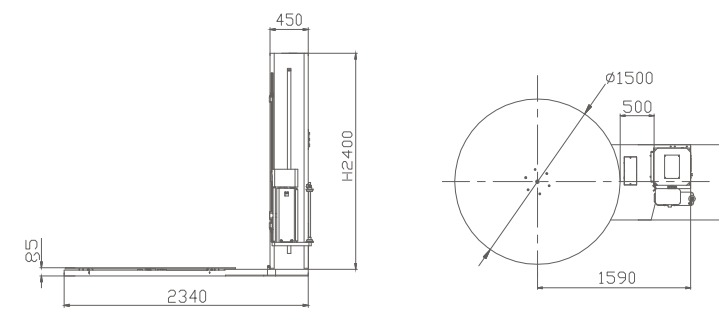
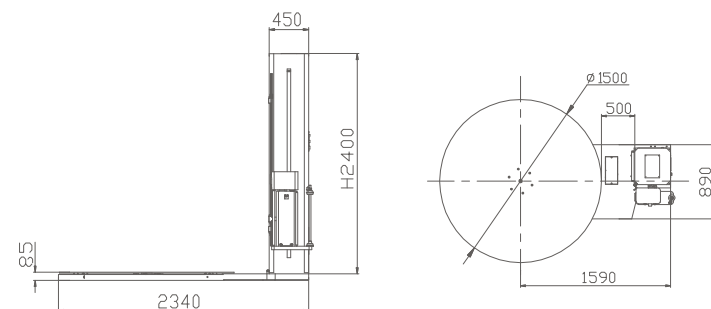
# MH-FG-2000 series

## MH-FG-2000A

Mechanical Stretch Automatic Pallet Stretch Wrapper

- Suitable for heavy pallet, soft start/stop, PLC control, home position, sensor test pallet height

Model	MH-FG-2000A
Power Voltage	AC220/110V 1P 50/60Hz 1.0KW
Speed of turnplate	0-12r/min
Dia. of turntable	φ 1500mm (optional φ 1650/ φ 2000 etc.)
Mast height	H2400mm (optional 2000/2700/2900/3000/3100)
Film	LLDPE film, width ≤500mm, out diameter ≤280mm.
Pallet size	Capacity:2000kg; max height=mast height-400mm
Package size	2650×1650×800mm
G.W/N.W	800kg/750kg
Optional	① Ramps ② Pannel ③ LCD location ④ Magnetic clutch



# MH-FG-2000 series

## MH-FG-2000AW

Mechanical Stretch  
Automatic Pallet Stretch Wrapper

## MH-FG-2000BW

Power Pre-Stretch  
Automatic Pallet Stretch Wrapper

- W type turntable is available for the forklift, soft start/stop, PLC control, home position, sensor test pallet height

Model	MH-FG-2000AW
Power Voltage	1P AC220/3P AC380V 50Hz 1.12KW
Speed of turnplate	0-12r/min
Dia. of turntable	φ 1500mm
Mast height	H2400mm (max 3000)
Film	LLDPE film, width ≤500mm, out diameter ≤280mm.
Pallet size	Capacity:1500kg; max height=mast height-400mm
Machine size	2800×1600×2400mm
G.W/N.W	600kg/750kg
Optional	①Ramps ②Pannel ③LCD location ④Magnetic clutch



## MH-FG-2000B

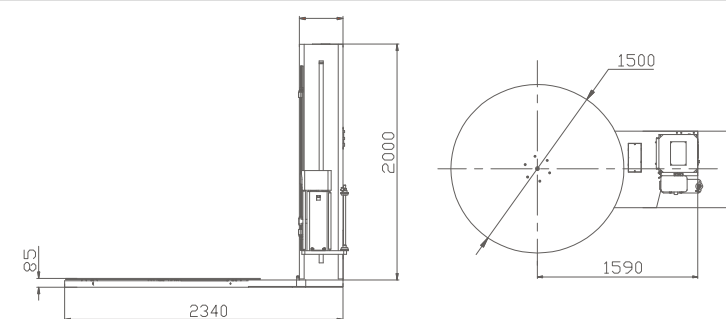
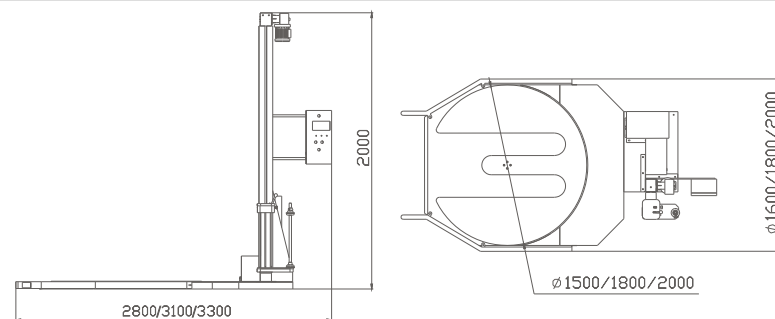
Power Pre-Stretch  
Automatic Pallet Stretch Wrapper

- Suitable for heavy pallet, Soft start/stop, PLC control, home position, sensor test pallet height

Model	MH-FG-2000B
Power Voltage	1P AC220/110V 50/60Hz 1.0KW
Speed of turnplate	0-12r/min
Dia. of turntable	φ 1500mm (optional φ 1650/ φ 2000 etc.)
Mast height	H2400mm (optional 2000/2700/2900/3000/3100)
Film	LLDPE film, width ≤500mm, out diameter ≤280mm.
Pallet size	Capacity:2000kg; max height=mast height-400mm
Package size	2650×1650×800mm
G.W/N.W	800kg/750kg
Optional	①Ramps ②Pannel ③LCD location ④Magnetic clutch



world advanced packing system



# MH-FG-2000AC

Mechanical Stretch  
Automatic Pallet Stretch Wrapper

# MH-FG-2000BC

Power Pre-Stretch  
Automatic Pallet Stretch Wrapper

# MH-FG-2000C

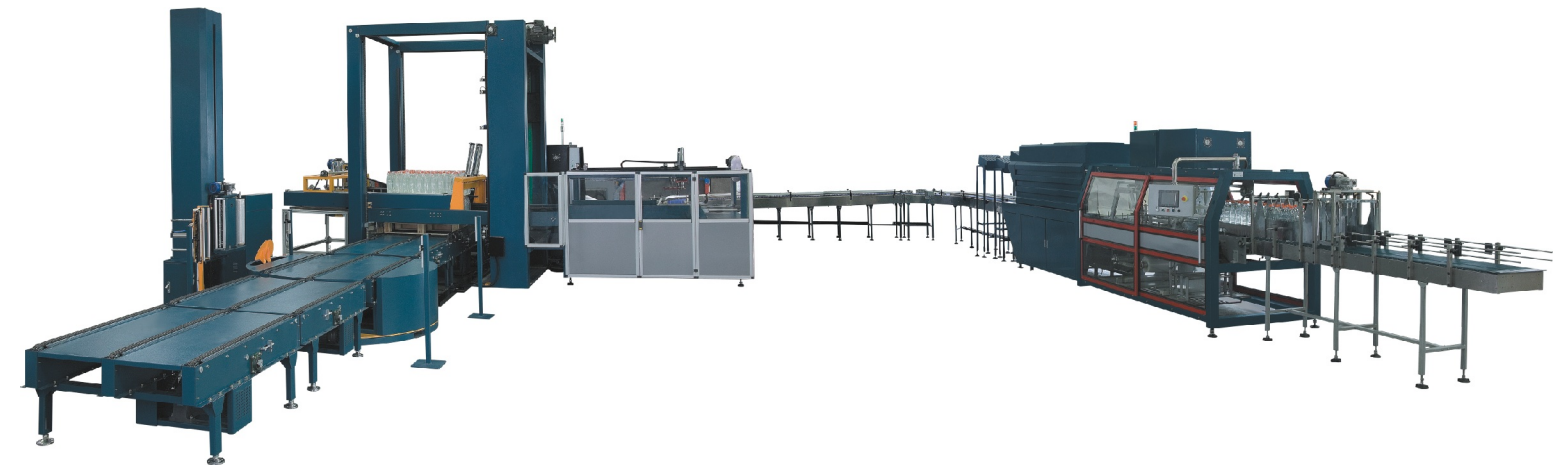
With Top-press  
Automatic Pallet Stretch Wrapper

- Suitable for light and unstable products, soft start/stop, PLC control, home position, sensor test pallet height

Model	MH-FG-2000C
Power Voltage	1P AC220/110V 50/60Hz 1.0KW
Speed of turnplate	0~12r/min
Dia. of turntable	φ 1500mm (optional φ 1650/ φ 2000 etc.)
Top-press plate diameter	900mm (custom-made is available)
Mast height	H2400mm (optional 2000/2700/2900/3000/3100)
Film	LLDPE film, width ≤500mm, out diameter ≤280mm.
Pallet size	Capacity:2000kg; max height=mast height-400mm
Package size	2650×1650×800mm
G.W/N.W	800kg/750kg
Optional	① Ramps ② Pannel ③ LCD location ④ Magnetic clutch



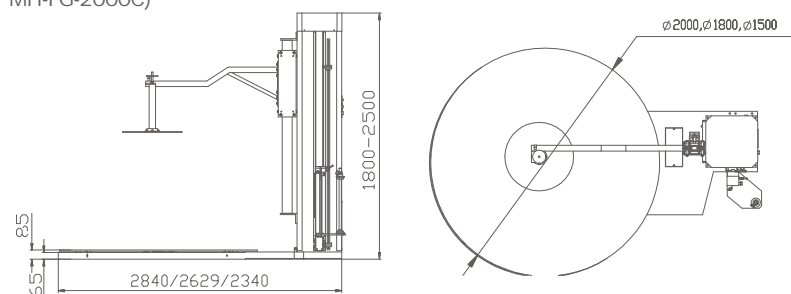
## THE END PACKAGING LINE



world advanced packing system



MH-FG-2000C)

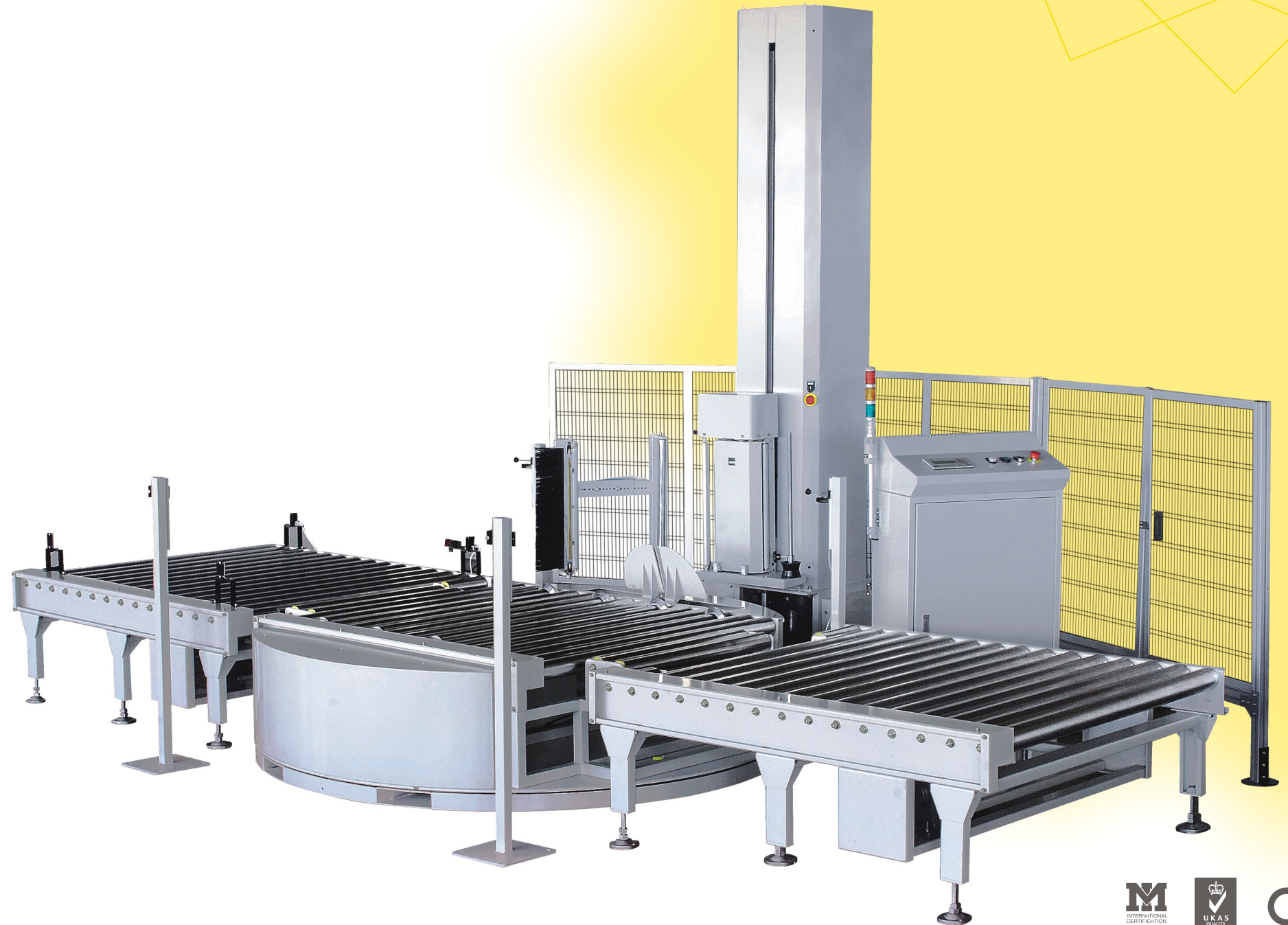
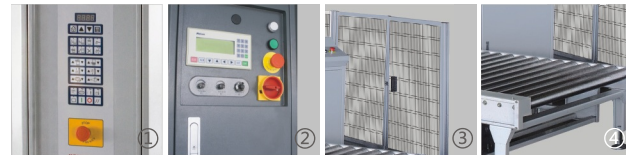


# MH-FG-2000D

## Automatic Pallet Stretch Wrapper

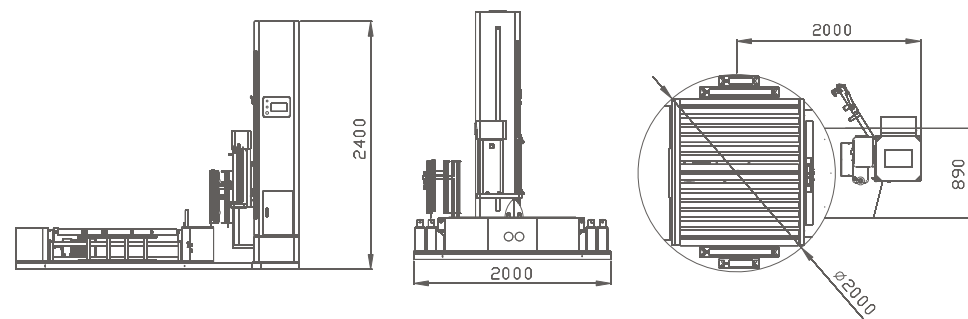
- Suitable for unmanned packing system, automatic pull on and break film, soft start/stop, PLC control, home position, sensor test pallet height

Model	MH-FG-2000D
Power Voltage	1P AC220V/3P 380V 50Hz 2.5KW
Air pressure	4~6kg/cm <sup>2</sup>
Speed of turnplate	0~9r/min (optional)
Dia. of turntable	2000 (Commonly 2000, custom-made)
Roller worktable height	550mm
Roller diameter	76mm
Mast height	H2400mm (optional 2000/2700/2900/3000/3100)
Film	LLDPE film, width ≤500mm, out diameter ≤280mm.
Pallet size	Capacity:2000kg; max height=mast height-400mm
Machine size	3000×2000×H (Commonly 2000, custom-made)
G.W/N.W	1400kg/1300kg
Optional	①Pannel ② LCD location ③ Safety doors ④ Power roller conveyor



MH-FG-  
2000  
series

world advanced packing system



# MH-FG-2100 series

## MH-FG-2100 Series Pallet Stretch Wrapper

- Suitable for bathroom tissues and can be designed for unmanned packing system, soft start/stop, PLC control, home position, sensor test pallet height

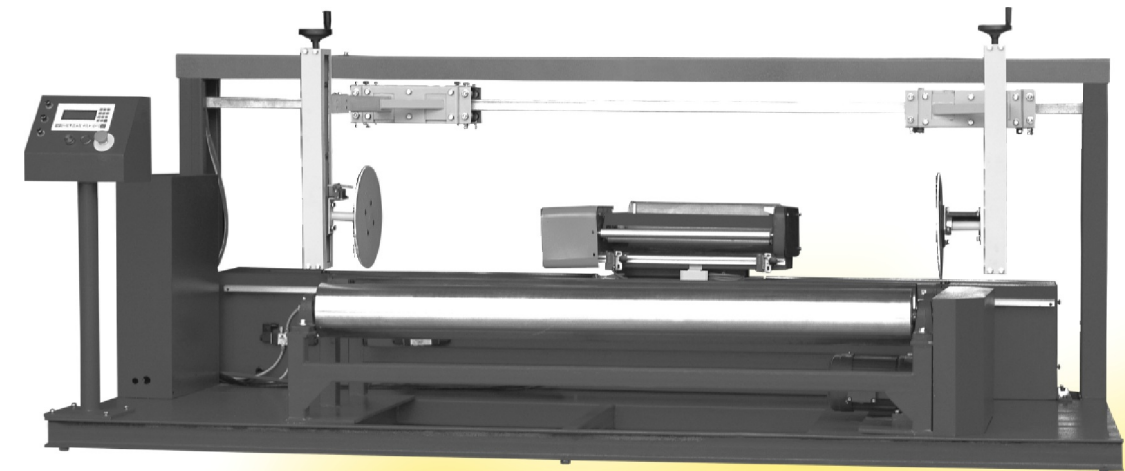
Model	MH-FG-2100
Power Voltage	1P AC220V/3P 380V 50HZ 1.6KW
Speed of turnplate	0-9r/min (adjustable)
Dia. of turntable	φ 2000mm (Commonly 2000, custom-made)
Turntable Height	450mm
Roller diameter	159mm
Mast height	H2000mm
Film	LLDPE film, 500 x 0.017-0.025mm
Package diameter	Capacity:1500kg; φ 600-1500mm;Max Length: 1650mm
Machine size	2900x2000x2000 (custom-made)
G.W/N.W	1500kg/1700kg
Optional	①Pannel ② LCD location ③ Magnetic clutch



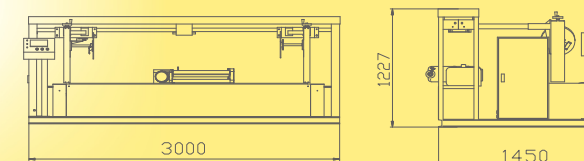
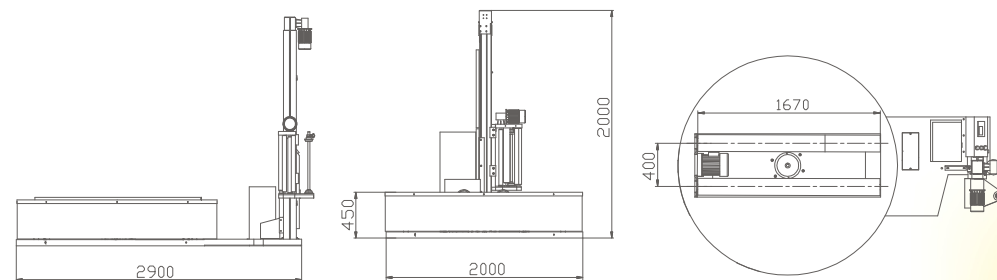
## MH-FG-2200 Horizontal Pallet Stretch Wrapper for Fabric

- Suitable for fabric products, push out products automatically after packing finished and can be designed for unmanned packing system, soft start/stop, PLC control, home position, sensor test pallet height

Model	MH-FG-2200
Power Voltage	1 P AC220V/ 3P 380V 50/ 60Hz 900W
Air pressure	4-6kg/cm <sup>2</sup>
Roller diameter	159mm Length: Optional
Roller speed	0-45r/min
Film	LLDPE film, 500 x 0.017-0.025mm
Package diameter	Capacity: 1500kg; Diameter: 450-1500mm; Max packaging length:2200mm
Machine size	L3000mm×W1450mm×H1227mm
G.W/N.W	1300kg/1500kg



world advanced packing system



# MH-FG-2200 series

## MH-FG-2300A

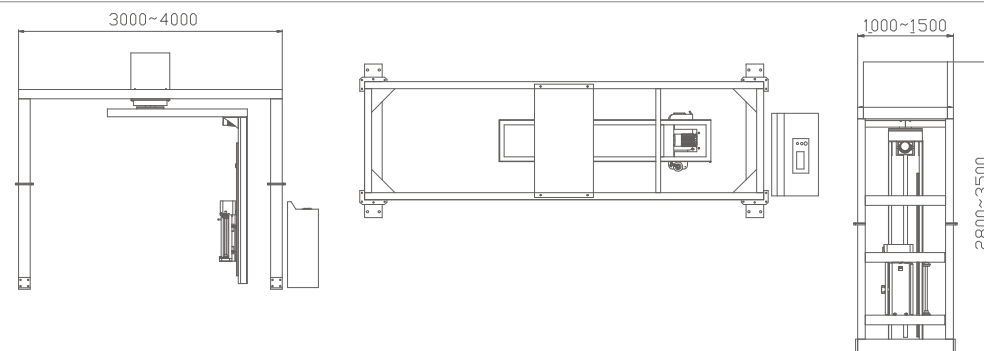
Mechanical Stretch/Power Pre-Stretch  
Pallet Stretch Wrapper

- Suitable for heavy pallet, soft start/stop, PLC control, home position, sensor test pallet height

Model	MH-FG-2300A
Power Voltage	1P AC220V /3P 380V 50HZ 2KW
Speed of cantilever arm	0-20r/min
Film	LLDPE film, width $\leq$ 500mm, out diameter $\leq$ 280mm
Pallet size	Package dia:1500mm; height:2000mm (custom-made)
Machine size	L(3000-4000) $\times$ W(1000-1500) $\times$ H(2800-3500)mm
Wooden box packing size	L3200 x W1100 x H1500mm
G.W/N.W	1400kg/1600kg



world advanced packing system

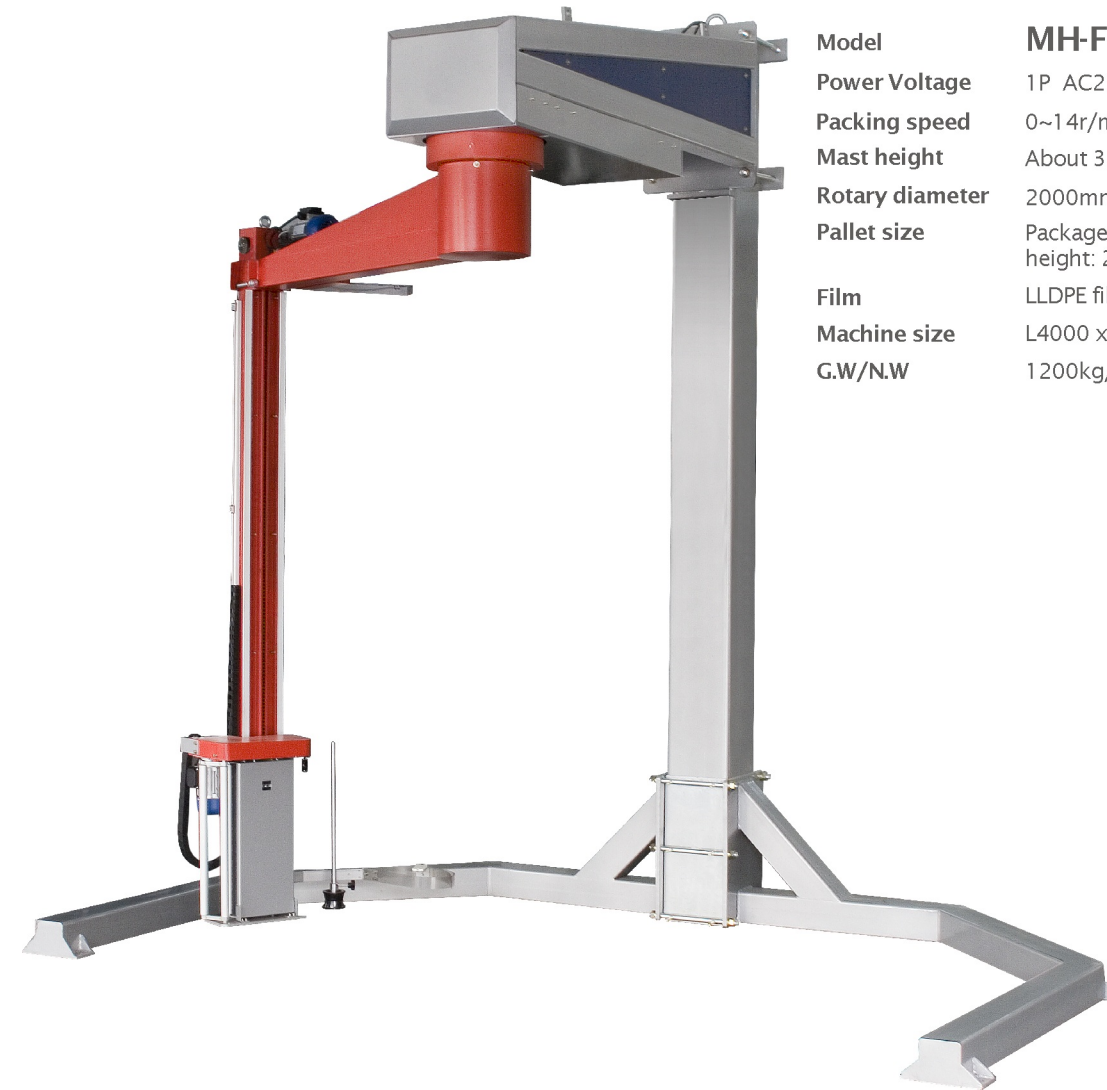


## MH-FG-2300 series

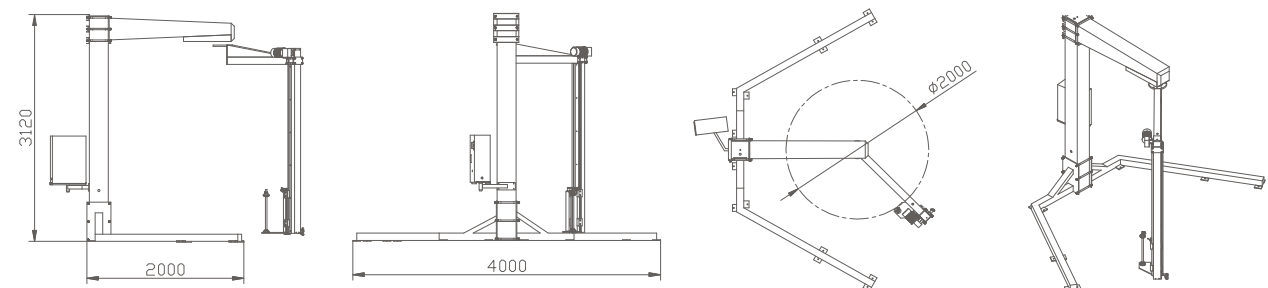
## MH-FG-2300B

Mechanical Stretch/Power Pre-Stretch  
Pallet Stretch Wrapper

- Suitable for heavy pallet, soft start/stop, PLC control, home position, sensor test pallet height, custom-made specification is available and also providing a complete set of packing system of conveying line.



Model	MH-FG-2300B
Power Voltage	1P AC220V/3P 380V 50Hz 1.25KW
Packing speed	0~14r/min (adjustable)
Mast height	About 3.12 m
Rotary diameter	2000mm
Pallet size	Package diagonal: Max 2000mm height: 2000mm (custom-made)
Film	LLDPE film, width $\leq$ 500mm, out diameter $\leq$ 280mm
Machine size	L4000 x W2000 x H3120mm
G.W/N.W	1200kg/1400kg





world advanced packing system

